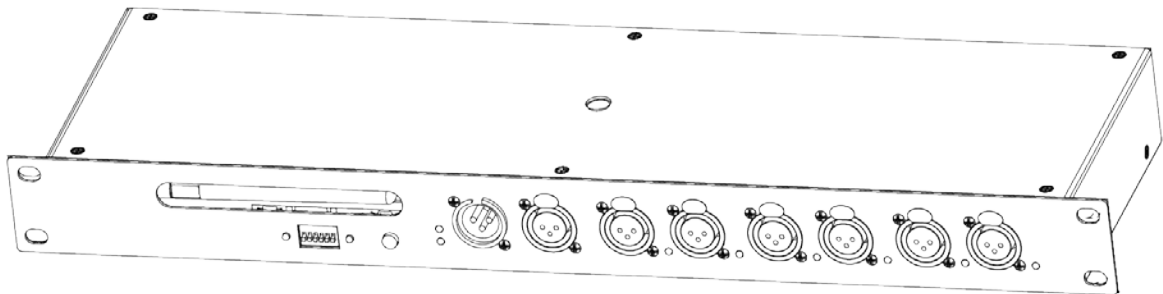


# D-Fi™ **STREAM 6**

## User Manual



**CHAUVET®**

---

# TABLE OF CONTENTS

<b>1. Before you Begin .....</b>	<b>3</b>
What Is Included.....	3
Unpacking Instructions .....	3
Claims.....	3
Text Conventions.....	3
Symbols .....	3
Disclaimer .....	3
Product at a Glance.....	4
Safety Notes .....	4
<b>2. Introduction .....</b>	<b>5</b>
Product Overview .....	5
Product Dimensions .....	6
<b>3. Setup.....</b>	<b>7</b>
AC Power.....	7
Mounting.....	7
Orientation .....	7
Rigging.....	7
<b>4. Operation.....</b>	<b>8</b>
Configuration .....	8
DIP Switches .....	8
DIP Switch Chart Location.....	8
Configuration Notes.....	8
DIP Switch Settings .....	9
<b>5. Technical Information .....</b>	<b>10</b>
Technical Specifications .....	10
Returns .....	11
<b>Contact Us.....</b>	<b>12</b>

# 1. BEFORE YOU BEGIN

## What Is Included

- D-Fi™ Stream 6
- Power Cord
- Warranty Card
- Quick Reference Guide

## Unpacking Instructions

Carefully unpack the product immediately and check the container to make sure all the parts are in the package and are in good condition.

## Claims




If the box or the contents (the product and included accessories) appear damaged from shipping, or show signs of mishandling, notify the carrier immediately, not Chauvet. Failure to report damage to the carrier immediately may invalidate your claim. In addition, keep the box and contents for inspection.

For other issues, such as missing components or parts, damage not related to shipping, or concealed damage, file a claim with Chauvet within 7 days of delivery.

## Text Conventions

Convention	Meaning
1–512	A range of values
50/60	A set of values of which only one can be chosen
<i>Settings</i>	A menu option not to be modified
<i>Menu &gt; Settings</i>	A sequence of menu options to be followed
<ENTER>	A key to be pressed on the product's control panel
ON	A value to be entered or selected

## Symbols

Symbol	Meaning
	Critical installation, configuration, or operation information. Not following these instructions may make the product not work, cause damage to the product, or cause harm to the operator.
	Important installation or configuration information. The product may not function correctly if this information is not used.
	Useful information.

## Disclaimer

The information and specifications contained in this document are subject to change without notice. Chauvet assumes no responsibility or liability for any errors or omissions that may appear in this manual. Chauvet reserves the right to update the existing document or to create a new document to correct any errors or omissions.

You can download the latest version of this document from [www.chauvetlighting.com](http://www.chauvetlighting.com).

© Copyright 2015 Chauvet. All rights reserved

Electronically published by Chauvet in the United States of America

Author	Date	Editor	Date
M. Trouard	02/10/2015	A. Leon	02/16/15

## Product at a Glance

Use on Dimmer	X	Auto Programs	X
Outdoor Use	X	Power Cord	P
Sound-Activated	X	Replaceable Fuse	P
DMX	P	User-Serviceable	X
Master/Slave	X	Duty Cycle	X

## Safety Notes

Please read the following Safety Notes carefully before working with this product. They include important safety information about its installation, usage, and maintenance.



- Always connect this product to a grounded circuit to avoid the risk of electrocution.
- Make sure the power cord is not crimped or damaged.
- Never disconnect this product from power cord by pulling or tugging on the cord.
- If mounting this product overhead, always secure it to a fastening device using a safety cable.
- Make sure there are no flammable materials close to the unit while operating.



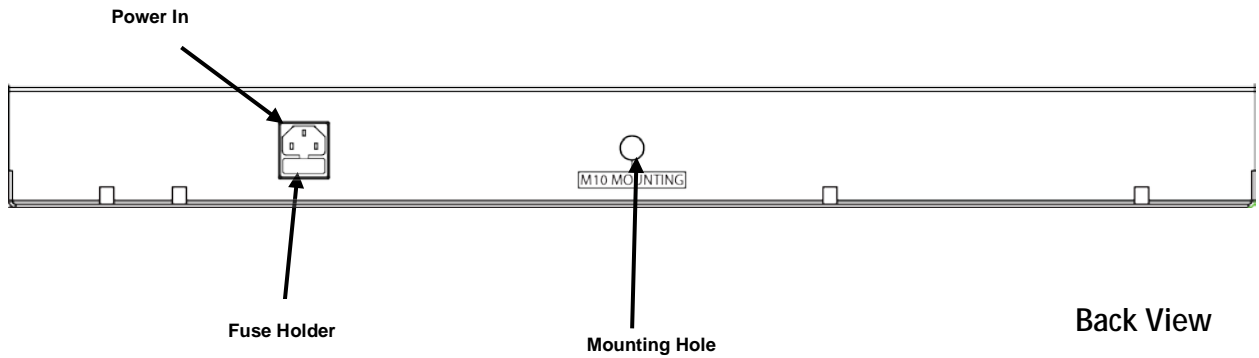
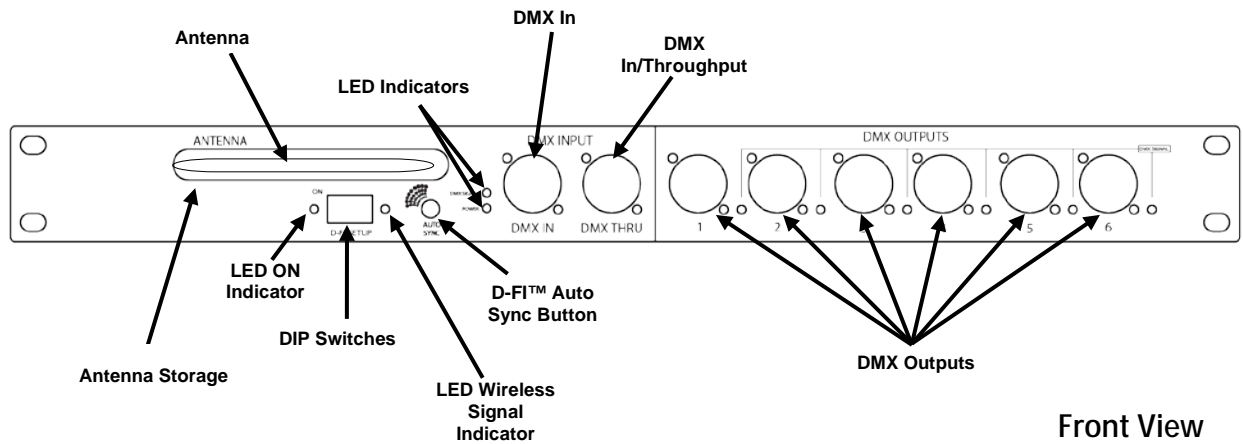
- Always make sure that the voltage of the outlet to which you are connecting this product is within the range stated on the decal or rear panel of the product.
- This product is for indoor use only! (IP20) To prevent risk of fire or shock, do not expose this product to rain or moisture.
- Never connect this product to a dimmer.
- Never carry this product from the power cord or any moving part.
- The maximum ambient temperature is 104 °F (40 °C). Do not operate this product at higher temperatures.
- In the event of a serious operating problem, stop using the unit immediately.
- Never try to repair this product. Repairs carried out by unskilled people can lead to damage or malfunction. Please contact the nearest authorized technical assistance center.
- To eliminate unnecessary wear and improve its lifespan, during periods of non-use completely disconnect the product from power via the breaker or by unplugging it.



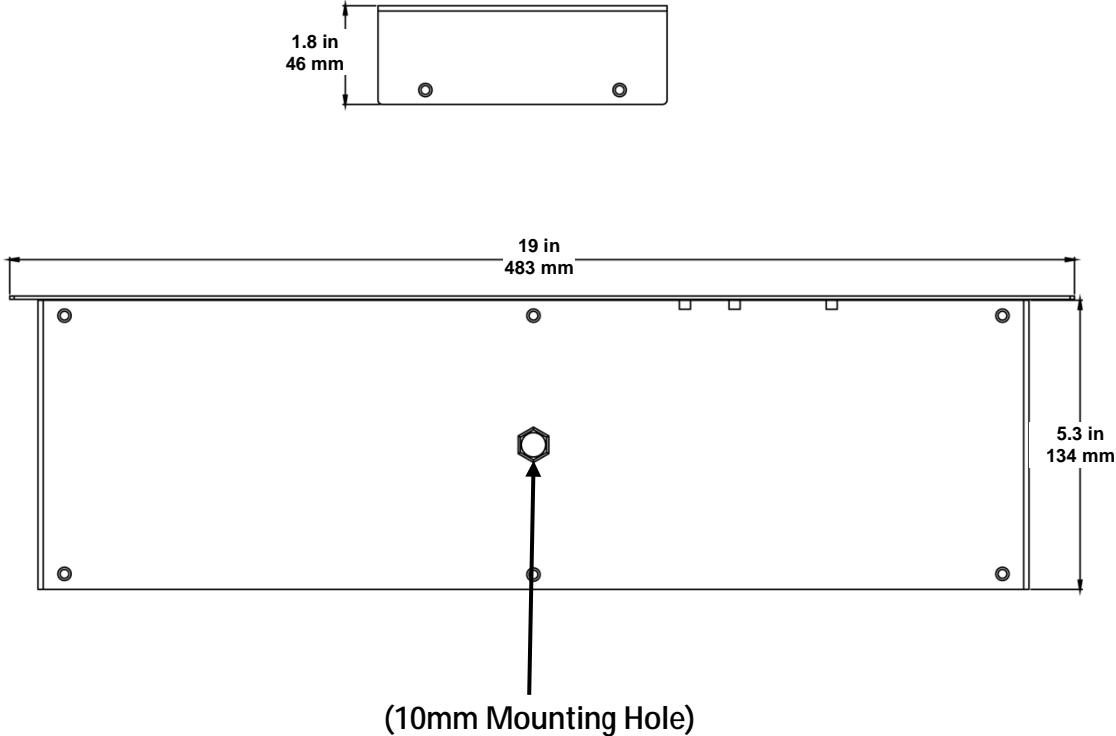
- Keep this User Manual for future consultation. If you sell this product to another user, be sure that they also receive this document.

## 2. INTRODUCTION

### Product Overview



# Product Dimensions



# 3. SETUP

**AC Power** This product has an auto-ranging power supply and it can work with an input voltage of 100 to 240 VAC, 50/60 Hz.

To determine the power requirements for this product (power outlet and wiring), use the current value listed on the label affixed to the product's back panel, or refer to the product's specifications chart. The listed current rating indicates the product's average current draw under normal conditions.



**Always connect this product to a protected circuit (circuit breaker or fuse), making sure that it has an appropriate electrical ground to avoid the risk of electrocution or fire.**



**Never connect this product to a rheostat (variable resistor) or dimmer circuit, even if the rheostat or dimmer channel serves only as a 0 to 100% switch.**

**Mounting** Before mounting this product, read and follow the [Safety Notes](#).

**Orientation** The D-Fi™ Stream 6 may be mounted in any position; however, make sure adequate ventilation is provided around the product.

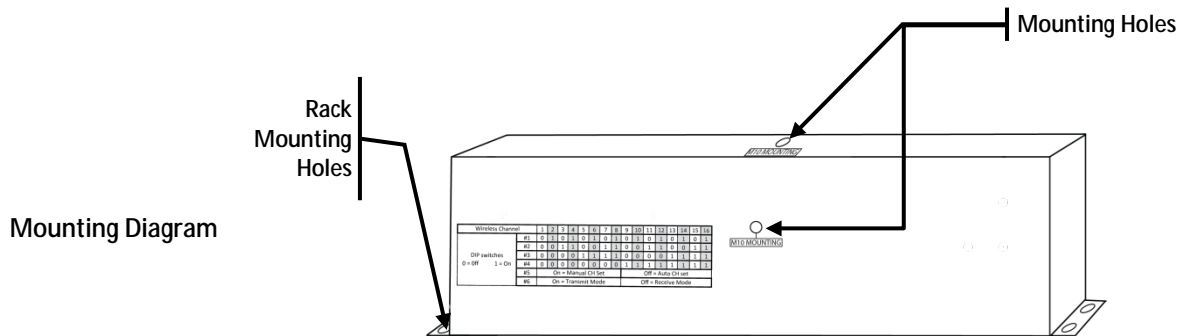
**Rigging** Before deciding on a location for this product, always make sure that it will be easy to access the unit for maintenance and programming purposes.

Make sure that the structure onto which you are mounting this product can support its weight. See the [Technical Specifications](#) for weight information.

When mounting this product overhead, always use a safety cable. Mount the product securely to a rigging point, whether an elevated platform or a truss.

When rigging this product onto a truss, you should use a mounting clamp of appropriate weight capacity.

The product also has two 10 mm mounting holes located on the back and top for easy truss mounting.



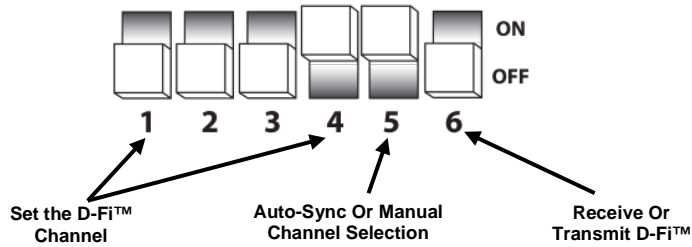
# 4. OPERATION

## Configuration

The D-Fi™ Stream 6 is configured with the DIP switches on the front just under the antenna. The D-Fi™ Stream 6 can transmit D-Fi™ or receive D-Fi™. The D-Fi™ channel can be selected manually or automatically. There is a DIP switch settings table affixed to the top of the product, and the DIP switches and settings are described in the following sections.

### DIP Switches

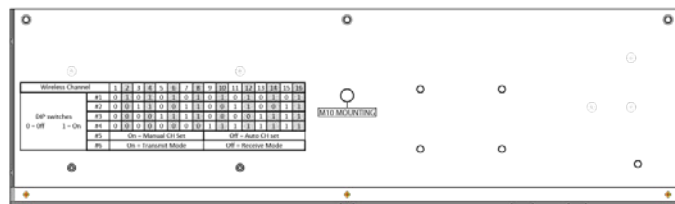
The 6 DIP switches that configure the D-Fi™ Stream 6 are shown below:



- DIP switches 1 thru 4 set the D-Fi™ channel, but DIP switch 5 must be in the ON position for DIP switches 1 thru 4 to have any effect.
- DIP switch 5 toggles between the D-Fi™ Channel Selection modes: Auto-Sync (OFF) and Manual (ON).
- DIP switch 6 toggles between Transmit D-Fi™ (ON) and Receive D-Fi™ (OFF).
- **The DIP switch settings shown in the example above configure the D-Fi™ Stream 6 for D-Fi™ Receive mode, with Manual Channel Selection and a D-Fi™ Channel of 9.**
- **For a list of DIP switch combinations, see the DIP switch settings table on the top of the D-Fi™ Stream 6.**



### DIP Switch Chart Location



Top View

## Configuration Notes

Transmit D-Fi™ mode requires the following:

- The D-Fi™ Stream 6 is connected to a lighting controller via a DMX cable.
- The lights are D-Fi™-compatible and configured for the same channel as the D-Fi™ Stream 6.
- There are no obstructions between the D-Fi™ Stream 6 and the lights.

Receive D-Fi™ mode requires the following:

- The D-Fi™ Stream 6 is connected to the lights via a DMX cable.
- The lighting controller is D-Fi™-compatible and configured for the same channel as the D-Fi™ Stream 6.
- There are no obstructions between the D-Fi™ Stream 6 and the lighting controller.



**D-Fi™ products must be using the same channel to communicate.**



**You can sync an unlimited amount of Receivers to one Transmitter.**



**To ensure strong D-Fi™ signals, the units should be elevated 5 feet or higher off the ground and remain in an unobstructed line of sight of each other.**

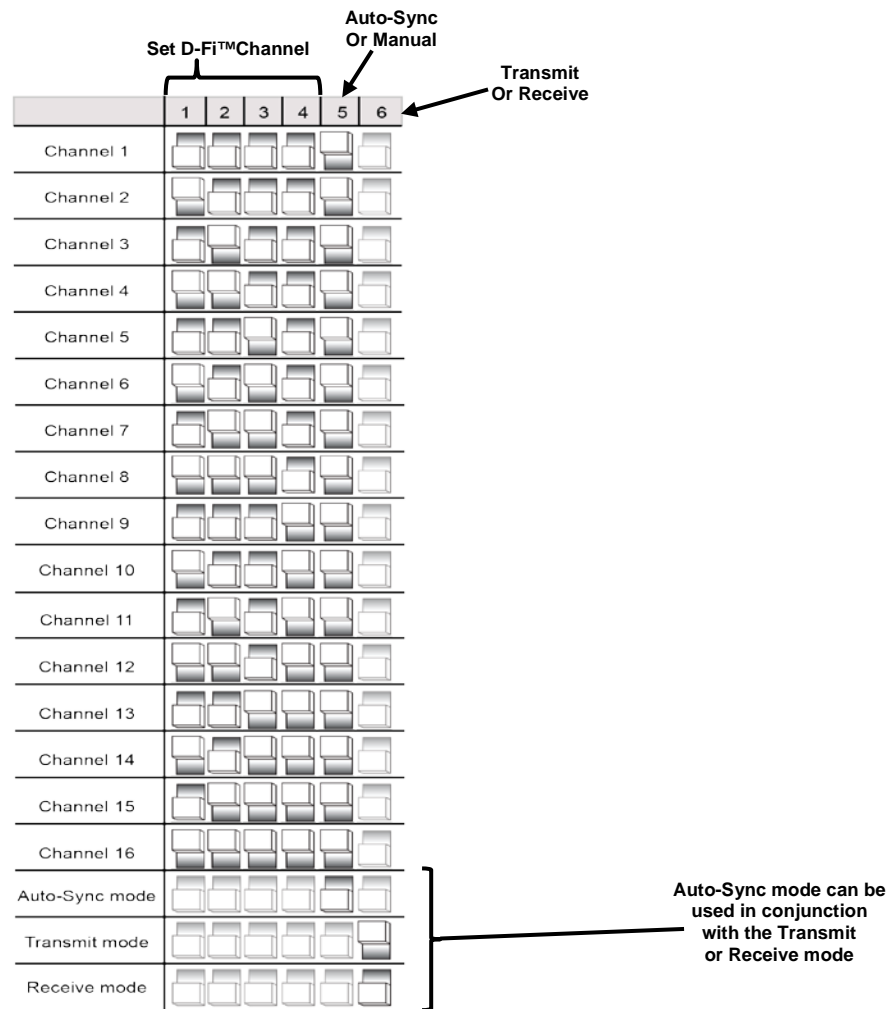


**For the best results, add individual receivers using Manual mode to ensure you can select the same channel for the additional products.**



## DIP Switch Settings

- DIP switches 1–4 set the D-Fi™ channel.
- DIP switch 5 toggles between Auto-Sync and Manual Channel Selection modes.
- Dip switch 6 toggles between Transmit D-Fi™ and Receive D-Fi™ modes.
- When the D-Fi™ Stream 6 is set to Auto-Sync mode (DIP switch 5 in the OFF position), the channel settings become inactive.



Information about using D-Fi™ lights and controllers is in the product manuals at the Chauvet website <http://www.chauvetlighting.com/product-manuals-literature/>.

Information about DMX is in the CHAUVET® DMX Primer at [http://www.chauvetlighting.com/downloads/DMX\\_Primer\\_rev05\\_WO.pdf](http://www.chauvetlighting.com/downloads/DMX_Primer_rev05_WO.pdf).



**When using the Transmit D-Fi™ mode or the Receive D-Fi™ mode, manually select a channel or set to Auto-Sync mode.**

---

# 5. TECHNICAL INFORMATION

## Technical Specifications

<b>Dimensions and Weight</b>	<b>Length</b>	<b>Width</b>	<b>Height</b>	<b>Weight</b>
	19 in (483 mm)	5.3 in (134 mm)	1.6 in (46 mm)	5.8 lb (2.6 kg)
	<b>Note:</b> Dimensions in inches rounded to the nearest decimal digit.			
	<b>Rackmount Size</b>			
	1U			
<b>Power</b>	<b>Power Supply Type</b>	<b>Range</b>	<b>Voltage Selection</b>	
	Switching (Internal)	100 to 240 VAC, 50/60 Hz	Auto-ranging	
	<b>Parameter</b>	<b>120 V, 60 Hz</b>	<b>240 V, 50 Hz</b>	
	Consumption	4 W	9 W	
	Operating current	0.04 A	0.05 A	
	Fuse	1 A, 250 V	1 A, 250 V	
<b>Wireless</b>	<b>RF Output</b>	<b>Refresh Rate</b>	<b>Frequency Range</b>	
	RP-SMA Antenna Connection max range 600 ft (183 m)	40 Hz/s	2.433 to 2.481 GHz	
<b>Thermal</b>	<b>Maximum External Temp.</b>	<b>Cooling System</b>		
	104 °F (40 °C)	Convection		
<b>DMX</b>	<b>I/O Connectors</b>	<b>Connector Type</b>		
	3-Pin XLR	Socket		
<b>Ordering</b>	<b>Product Name</b>	<b>Item Code</b>	<b>UPC Number</b>	
	D-Fi™ Stream 6	09080843	781462211912	

---

To return a product or request support:

- If you live in the U.S., contact Chauvet World Headquarters (see [Contact Us](#)).
- If you live in the UK or Ireland, contact Chauvet Europe Ltd.(see [Contact Us](#)).
- If you live in Mexico, contact Chauvet Mexico (see [Contact Us](#)).
- If you live in any other country, DO NOT contact Chauvet. Instead, contact your distributor of record. Refer to our Web site for contact details of distributors outside the US, United Kingdom, or Ireland.



**If you live outside the U.S., United Kingdom, or Ireland, contact your distributor of record and follow their instructions on how to return Chauvet products to them. Visit our Web site for contact details.**

## Returns

Call the corresponding Chauvet Tech Support office and request a Return Merchandise Authorization (RMA) number before shipping the product. Be prepared to provide the model number, serial number, and a brief description of the cause for the return.

You must send the merchandise prepaid, in its original box, and with its original packing and accessories. Chauvet will not issue call tags.

Clearly label the package with the RMA number. Chauvet will refuse any product returned without an RMA number.



**DO NOT write the RMA number directly on the box. Instead, write it on a properly affixed label.**

Before sending the product, clearly write the following information on a piece of paper and place it inside the box:

- Your name
- Your address
- Your phone number
- RMA number
- A brief description of the problem

Be sure to pack the product properly. Any shipping damage resulting from inadequate packaging will be your responsibility. FedEx packing or double-boxing are recommended.



**Chauvet reserves the right to use its own discretion to repair or replace returned product(s).**

---

## CONTACT US

### WORLD HEADQUARTERS - Chauvet

#### General Information

Address: 5200 NW 108th Avenue  
Sunrise, FL 33351  
Voice: (954) 577-4455  
Fax: (954) 929-5560  
Toll free: (800) 762-1084

#### Technical Support

Voice: (954) 577-4455 (Press 4)  
Fax: (954) 756-8015  
Email: [tech@chauvetlighting.com](mailto:tech@chauvetlighting.com)

World Wide Web [www.chauvetlighting.com](http://www.chauvetlighting.com)

### UNITED KINGDOM AND IRELAND - Chauvet Europe Ltd.

#### General Information

Address: Unit 1C  
Brookhill Road Industrial Estate  
Pinxton, Nottingham, UK  
NG16 6NT  
Voice: +44 (0)1773 511115  
Fax: +44 (0)1773 511110

#### Technical Support

Email: [uktech@chauvetlighting.com](mailto:uktech@chauvetlighting.com)

World Wide Web [www.chauvetlighting.co.uk](http://www.chauvetlighting.co.uk)

### MEXICO - Chauvet Mexico

#### General Information

Address: Av. Santa Ana 30  
Parque Industrial Lerma  
Lerma, Mexico C.P. 52000  
Voice: +52 (728) 285-5000

#### Technical Support

Email: [servicio@chauvet.com.mx](mailto:servicio@chauvet.com.mx)

World Wide Web [www.chauvet.com.mx](http://www.chauvet.com.mx)

Outside the U.S., United Kingdom, Ireland, or Mexico, contact the dealer of record and follow their instructions to request support or to return a product. Visit the Chauvet website for contact information.

D-Fi™ Stream 6 QRG Rev. 1 ML

© Copyright 2015 Chauvet

All rights reserved.

Printed in the P. R. C.

